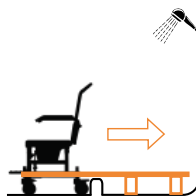


# SB1

## SHOWERBUDDY

For transfer to a shower with tray step



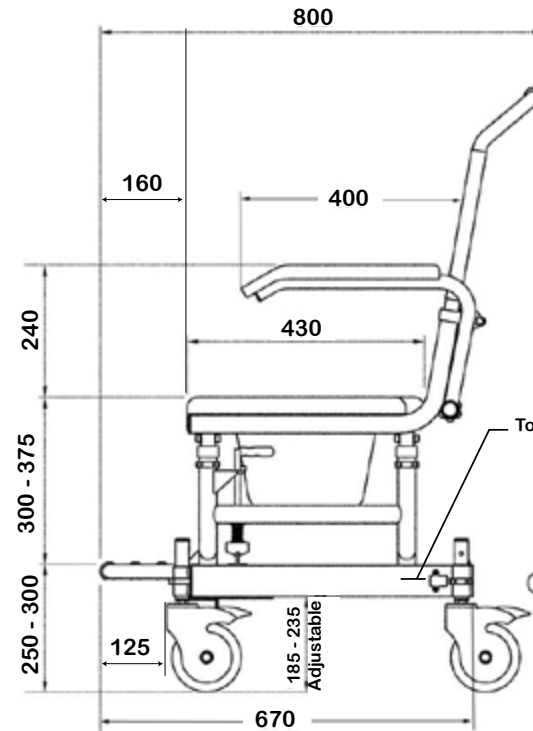
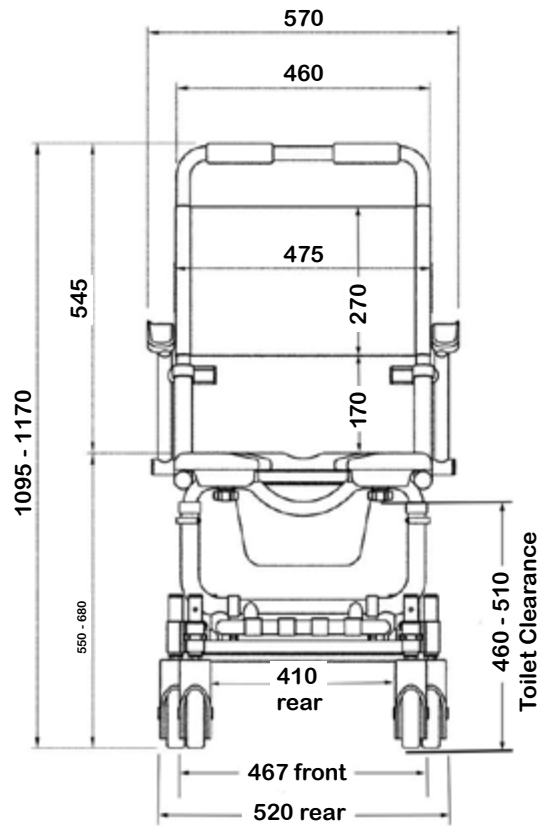
The ShowerBuddy SB1 shower transfer system will turn your existing bathroom into an accessible bathroom allowing you to enjoy showering again without the excessive cost, delays and stress of a full bathroom remodel.

If your shower has a step or upstand preventing roll-in access, our ShowerBuddy SB1 will easily slide you, in a seated position, across the step and into the shower. Once transferred into the shower the bridge and wheeled base can be disconnected and rolled away, allowing the shower door to close for a more enjoyable shower experience. This chair can be rotated when inside the shower allowing you to face the water outlet or for an assistant to help with cleaning.



# SBI

## LIBERTY HEALTHCARE



Shower base height  
Standard 105mm - 125mm  
Use accessory SBR100 up to 145mm - 165mm  
Use accessory SBR150 up to 195mm - 205mm  
Use accessory SBR200 up to 245mm - 265mm

Toilet clearance width between frame is 295mm

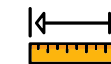
405

Can be customised  
see accessories

500 (455 wide)

475

105 - 125



Will this fit my bathroom?

See our Calculator, BathCheck page 35

### Product features:

- Weight capacity - 250kg
- Rolls over most standard toilets
- Low maintenance
- Arms - removable / lockable / flip-back
- Height adjustable
- Safety mechanisms
- No rust aluminum frame (Grade 6061 T6)
- Stainless steel parts and hardware (Grade 304)
- Rotates 360 degrees inside shower (subject to space)
- Footrest - fold-up
- Safety belts - lap & chest belts
- Caster Wheels - 125mm x 4 locking
- Commode system
- Tool-free assembly
- Full details see page 32-36

### Accessory items

- Refer to the accessory pages or on our website